



Technical Support  
(877) 495-0144

www.simplehomenet.com



# Quick Start Guide - EZFlora

## 8-Zone Irrigation Controller



### Product Brief

Your EZFlora is a sophisticated, yet compact 8-zone irrigation controller. With it you can set up 4 different program schedules, control individual zones locally and remotely, and automatically disable your irrigation system when it rains.

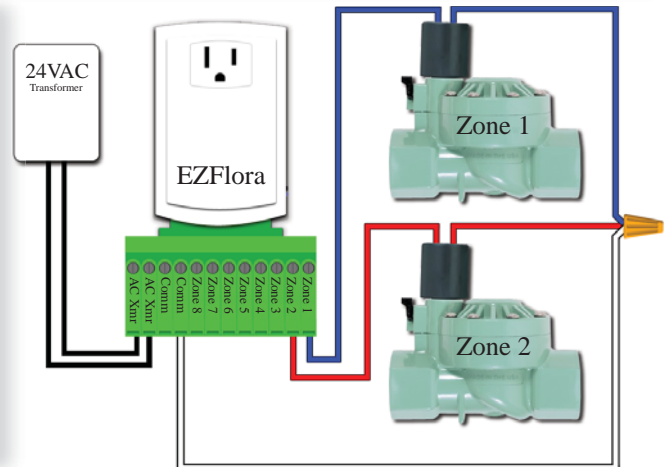
Out of the box, each zone of the EZFlora can be activated via INSTEON or X10 commands. A home automation gateway, like our EZSrvr, or a compatible software package and PC interface will be needed for configuration of timers and programs, as well as the advanced functions available on your EZFlora.

### Installation

Each irrigation valve will have 2 wires. One wire will connect to a terminal labeled "Zone1-8" and the other will connect to a "Comm" terminal. For more than one valve, connect all common wires together and attach one lead wire to run from the common bunch back to the "Comm" terminal as shown in the diagram.

A 24V AC power supply will be needed to power your valves and will connect to the two terminals labeled "AC Xmr".

Once you've made all your connections, plug in your EZFlora and 24VAC transformer to a 120V AC outlet. Ensure that connections to power are made indoors or in weather proof enclosures.



### Set-up

#### Controlling Valves with an INSTEON Device (Ex. KeypadLinc)

*In this example, we'll show you how to program an 8-button KeypadLinc to control each respective zone on your EZFlora*

- 1) Press and hold the first button on your KeypadLinc until it begins to blink.
- 2) Press and hold the SET button on your EZFlora for about 4 seconds. Your KeypadLinc should stop blinking, indicating a successful link, and the LED on your EZFlora will go out waiting for which zone to program.
- 3) Press the SET button once for Zone 1 (twice for Zone 2, thrice for Zone 3 etc...)
- 4) Press the SET button finally for about 4 seconds. Button 1 is now programmed to control Zone 1 of your EZFlora!
- 5) Repeat steps 1-4 to program the rest of your zones, making sure to select button 2 for Zone 2, button 3 for Zone 3, and so on.

#### Controlling Valves with an X10 Device

*The EZFlora uses the unit code of an X10 address to control the corresponding Zone # (A1 for Zone 1, A8 for Zone 8, etc...)*

- 1) Press and hold the SET button on your EZFlora for about 4 seconds. The LED should be blinking steadily waiting for an X10 code.
- 2) Using an X10 controller, send the desired X10 command (Ex. A1 ON) three times within 30 seconds.
  - To **disable** X10, repeat this process substituting an OFF address in step 2.

#### Factory Reset

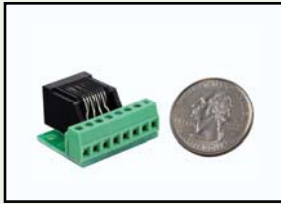
- Unplug your EZFlora for at least 10 seconds. Press the SET button while plugging back in. Continue holding SET button for at least 10 seconds and then release.

**Congratulations!! You're all set up and ready to go!**



Thank you for purchasing SimpleHomeNet Products!

### SimpleHomeNet Accessories to Enhance your EZFlora



Part # 8045A

With our Breakout Connector, 8045A, you can simply connect any length of CAT5 patch cable to your EZFlora and then use the breakout connector to easily integrate a single jet pulsing water meter and/or rain sensor. (**Note:** Configuration settings need to be enabled for rain sensor and water meter interface capability.)



Part # 5010L

With our EZSrvr, you can fully program your EZFlora's configuration settings, timers, and schedule capability, as well as have full access of your irrigation system via the Internet. The EZSrvr is a central monitor and control gateway that offers integration with any INSTEON or X10 device, giving you the ability to set up complex scenes and actions triggered by a variety of options. Available at [www.simplehomenet.com](http://www.simplehomenet.com)

### Third Party Accessories to Enhance your EZFlora

#### Single Jet Pulsing Water Meter and Rain Sensors



Clark Solutions #CLXC



Claber #90915



Toro #53770



RainBird # RSDBEX